

FLUSH PLATE 200

200 SERIES FLUSH BUTTONS / PNEUMATIC CONTROL



Pneumatic flush buttons for InWall toilet system

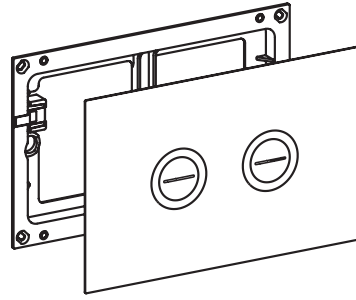
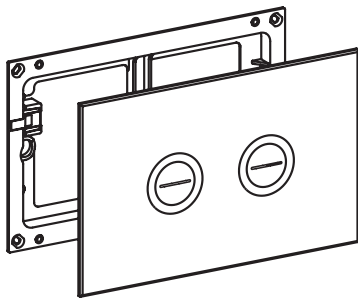
- Pneumatic push button system
- Easy to install and service

ORDER CODE	191795	Flush plate 200 Chrome metal	[old code: STO-B200-C]
	191796	Flush plate 200 Brushed s/st	[old code: STO-B200-S]
	191797	Flush plate 200 White glass	[old code: STO-B200-W]
	191794	Flush plate 200 Black glass	[old code: STO-B200-B]

MATERIALS Stainless steel, metal, glass.

DIMENSIONS 232W x 148H.

INSTALLATION Refer to installation instructions.



Brushed stainless steel



Chrome plated metal



White glass



Black glass

SEIMA

bathroom | kitchen | laundry

seima.com.au

Please note

- Installation shall be in accordance with AS/NZS3500.
- All measurements are in millimetres. Height dimensions are to base of pan. Make allowance for bedding.
- Bedding: Pan may be bedded with cement base or using silicone sealant.
Fix pan to floor using a sand cement mixture of 3:1 to a depth of 60mm. Do not use lime or fast-drying cement.
- Bracket fixing: The pan should be bedded with silicone sealant and fixed with the brackets supplied.
Do NOT use epoxy type adhesives.
- Dimensions are nominal and subject to normal ceramic manufacturing variations.
- Specifications may vary without notice as part of our continuous improvement practices.
- Clean with a damp cloth. Do not use abrasive cleaners, liquids or pastes.

DS-Toilet-FlushPlate200 / v 2.0